

HNM5  
High Voltage  
Series  
Molded Case  
Circuit Breaker



# HN5

## 高电压系列塑料外壳式断路器





## 公司简介

伊顿辉能低压电器（江苏）有限公司坐落于江苏省镇江新区，是美国伊顿公司和江苏辉能电气有限公司成立的合资公司，专业从事低压电器产品的研发、制造和销售。公司现有员工 300 余人，其中各类专业技术人员约占 30%，中高级职称 40 余人，累计申请产品专利 120 余项。

公司主要产品为万能式断路器、塑料外壳式断路器、隔离电器、小型断路器、自动转换开关电器、接触器等。产品广泛应用于光伏、风电、工业、电网、楼宇等多个领域。

2009 年推出 HNW3 风电、光伏专用智能型万能式断路器，市场占有率稳居行业前列，产品广受用户好评。

2017 年，HNM3TL 系列塑壳漏电断路器推向市场，高度模块化的设计使其与 HNM3 系列热磁、电子系列产品保持了相同的尺寸，满足客户对产品小型化和可替换性的需求。

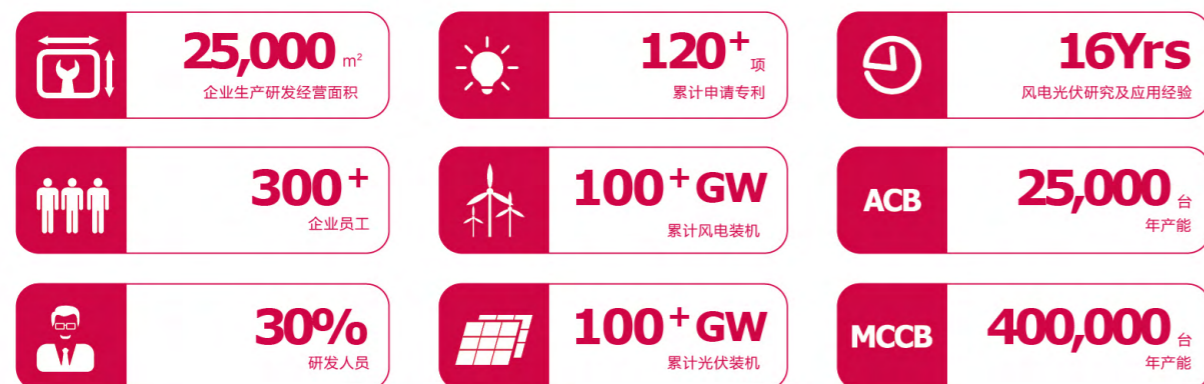
2018 年，HNM3DC 系列直流塑壳断路器推向市场，产品凭借优异的性能，迅速在多个江苏储能示范项目中得到了大量应用，并获得了客户的一致好评。

2019 年，HNW3GDC 系列直流框架隔离开关，HNM3-5 系列交流电子式框塑产品推向市场，产品适用于储能系统。

2020 年，HNM3-HU 系列高电压塑壳断路器、HNW3-HU 系列高电压框架断路器、HNM3GDC 系列直流塑壳隔离开关、HNW2GDC 系列直流框架隔离开关等一大批应用于光伏、风电、储能等系统的性能优异的产品推向市场。产品一经推出，便获得了众多客户的高度关注，并迅速在新能源市场中得到了大量应用。

2021 年，行业内首个通过 AC1500V 50kA 短路分断试验的框架断路器诞生！HNW3-HV 系列高电压框架断路器推向市场，产品完美适用于风电、光伏等新能源系统。

历时多年发展，伊顿辉能低压电器（江苏）有限公司产品累计装机容量不断提升。目前，风电和光伏装机量累计突破 200GW。并通过众多的运行实践，在新能源领域积累了大量的研发、生产与服务经验，通过持续地技术革新，新能源专用断路器的产品性能、指标、可靠性、环境适应性不断提升，成为新能源行业断路器的领导品牌。



## Company Brief

in many energy storage demonstration projects of Jiangsu, winning unanimous praise from customers.

In 2019, the HNW3GDC series DC frame disconnecter and the HNM3-5 series AC electronic frame plastic products came out, being applicable to energy storage systems.

In 2020, a large number of products with excellent performance used in photovoltaic, wind power, energy storage and other systems became available on the market, including HNM3-HU series high-voltage molded case circuit breaker, HNW3-HU series high-voltage frame circuit breaker, HNM3GDC series DC molded case disconnecter, HNW2GDC series DC frame disconnecter, etc. The products, once launched, have come under the spotlight among customers, and have quickly been widely applied in the new energy market.

In 2021, the industry's first frame circuit breaker that passed the AC1500V 50kA short-circuit breaking test was born! Moreover, the HNW3-HV series high-voltage frame circuit breakers were also introduced to the market, being perfectly suitable for new energy systems such as wind power and photovoltaic ones.

With the development over the years, Eaton Huineng Low-Voltage Electrical (Jiangsu) Co., Ltd. continues to refresh the record in its cumulative installed capacity. At present, the installed capacity of wind power and photovoltaic power has exceeded 200GW. Through a large number of operational practices, we have accumulated abundant R&D, production and service experience in the new energy field. Thanks to continuous technical innovation, Eaton Huineng, as one of the leading brands in circuit breakers for the new energy industry, is committed to improving the performance, indicators, reliability and environmental adaptability of circuit breakers for new energy application.

Eaton Huineng Low-Voltage Electrical (Jiangsu) Co., Ltd., located in Zhenjiang New District, Jiangsu, is a joint venture established by Eaton and Jiangsu PHONO Electric Co., Ltd., specializing in the R&D, manufacturing and sales of low-voltage electrical products. The company has more than 300 employees, among which all kinds of specialized technical personnel account for about 30%, including more than 40 employees with intermediate or senior professional titles. Totally more than 120 product patents have been applied.

Our company's main products include air circuit breaker (ACB), molded case circuit breaker (MCCB), isolator, miniature circuit breaker (MCB), automatic transfer switching equipment (ATSE), contactor, etc., which are widely used in photovoltaic, wind power, industry, power grid, building and other fields.

In 2009, our company launched the HNW3 intelligent air circuit breaker exclusively for photovoltaic and wind power equipment, with its market share ranking the forefront of the industry, receiving a good reputation from customers.

In 2017, the HNM3TL series molded case leakage circuit breaker was introduced to the market. The highly modular design enables it to maintain the same size as the HNM3 series thermomagnetic and electronic products, thereby meeting the customers' demand for product miniaturization and replaceability.

In 2018, the HNM3DC series DC molded case circuit breaker was unveiled. With its excellent performance, the product was quickly applied



## 目录

适用范围 Application	03
工作环境及安装条件 Working environment and installation conditions	04
主要技术数据及性能 Main technical index	05
选型指南 Quick selection table	06
保护特性 Protective characteristics	08
标牌解释 Sign interpretation	09
动作特性曲线 Operating characteristic curve	10
电气附件 Electrical accessories	11
尺寸与连接 Size and Connection	15

# HNM5

## 高电压系列塑料外壳式断路器

High Voltage Series Molded Case Circuit Breaker



## 适用范围

Scope of application



HNM5系列塑料外壳式断路器（以下简称断路器），是我司最新推出的一款具有高电压、高性能的热磁式塑壳产品，产品适用于交流50/60HZ，额定工作电压至1140V，额定工作电流至630A的电路中做不频率转换使用。该断路器具有过载、保护功能，能保护线路和电源设备不受损坏。产品主要应用于新能源、电力系统、工厂等场合。

### 符合标准：

GB/T14048.1 低压开关设备和控制设备第1部分：总则

GB/T14048.2 低压开关设备和控制设备第2部分：断路器

HNM5 Series plastic case circuit breaker (hereinafter referred to as circuit breaker) is our latest high-voltage, high-performance thermonagnetic plastic case product. The product is suitable for AC 50/60Hz, rated working voltage to 1140V infrequently used in circuits with a rated operating current of 630A. The circuit breaker has the function of overload and protection, which can protect the line and power equipment from damage. Products are mainly used in new energy, power systems, factories and other occasions.

### Standards compliant:

GB/T14048.1 Low-voltage switchgear and control equipment Part 1: General

GB/T14048.2 Low-voltage switchgear and control equipment Part 2: Circuit breaker

# 工作环境和安装条件

## Scope of application

- 安装地点的海拔不超过2000m；
- 断路器可在周围空气温度为-45℃~+70℃条件下运行，且24小时的平均值不超过35℃（特殊订货除外），大于+40℃时需降容使用，降容系数详见环境温度变化降容系数表；
- 安装地点的空气相对湿度在最高温度为+40℃时不超过50%，在较低温度下可以有较高的相对湿度，例如20℃时达90%。对由于温度变化偶尔产生的凝露应采取特殊措施；
- 污染等级为3级；
- 断路器主电路及欠电压脱扣器安装类别为Ⅲ，其余辅助电路、控制电路安装类别为Ⅱ；
- 断路器可垂直安装（即竖装），亦可水平安装（即横装）；
- 断路器应按产品使用说明书安装和接线。

- The elevation of the installing sit doesn't exceed 2000m;
- Ambient temperature : -45℃~+70℃,and average temperature in 24 hours doesn't exceed 35℃(except special order), when the temperature is higher than 40℃, the rated current needs to be adjusted as the derated coefficient table of rated current;
- The relative humidity of the installing site doesn't exceed 50% at the maximum temperature of +40℃; at lower temperature, higher humidity would be permitted,for example,90% at 20℃,given consideration of the dews due to th temperature change,special measures should be taken;
- Pollution grade: 3;
- Installing categories: Ⅲ for the main circuit, Ⅱ for the auxiliary circuit without being connected with the main circuit and for control circuit alike;
- The breakers can be installed vertically (upright)or horizontally (transverse)
- Breakers should be installed and wired by following the instruction.

# 主要技术数据和性能

## Scope of application

型号 Type		HNMS-2HU		HNMS-3HU	
额定电流 In rated current	A	32, 63, 80, 100, 125, 140, 160, 180, 200, 225, 250, 320		315, 350, 400, 500, 630	
极数 Pole number		3			
额定工作电压 Ue Rated operating voltage	AC50~60Hz (V)	800, 1000, 1140			
额定绝缘电压 Ui Rated insulation voltage	V	1250		1500	
额定冲击耐受电压 Uimp Rated impulse withstand voltage Uimp	kV	8			
分断能力 Breaking capacity		HU1	HU2	HU1	HU2
极限短路分断Icu (kA) Ultimate short-circuit breaking	AC800V	30	50	50	50
	AC1000V	15	30	15	18
	AC1140V	/	15	/	15
运行短路分断Ics (kA) Service short-circuit breaking	AC800V	30	50	36.5	50
	AC1000V	12	18	15	18
	AC1140V	/	15	/	15
机械寿命 Mechanical durability	次	12000		8000	
电气寿命 Electrical durability	AC800V	次	1000		
	AC1000V	次	1000		
	AC1140V	次	1000		
	L长 With	mm	185		257
	W宽 Heigh		112.5		140
	H高 Depth		106.5		110
隔离功能 Isolation function		具有隔离功能			
可选脱扣器 Optional trip unit	TA	热可调 (0.7~1.0) 磁可调 (5~10)			
	TAL	热可调 (0.7~1.0) 磁固定 (10In)			

注：HNMS-2：32A、63A为热可调磁固定



产品代号  
Product code

壳架电流 Frame current *	
2	320A
3	630A

分断能力 Breaking capacity	
HU1	
HU2	

极数 Poles
3P

保护单元类型 Protection unit type	
TAL	热可调, 磁固定
TA	热磁可调

额定电流 Rated current
32
63
80
100
...
630

附件 (不同附件之间以/隔开)  
Accessories(separated with"/" between different accessories)

连接附件 Connection accessories	
无	固定式板前接线 Fixed type wiring in front of the board

电气附件 Electrical accessories	
AL	报警开关 Alarm-switch
AX	辅助开关 Auxiliary-switch
SHT	分励脱扣器 Shunt-release

扩展附件 Expansion accessories	
K2	直端子扩展器 Straight terminal expander
K5	长端子罩 Long terminal cover
K6	相间隔板 Interphase barrier
K7	锁 Lock
K11	绝缘安装板 Insulating mounting plate (Only optional for HU type)



### \* 电气附件电压 Electrical accessories

附件 Accessories	电压 Voltage
SHT 分励脱扣器 SHT Shunt release	AC230V AC400V DC220V AC/DC110V DC24V

如果附件电压和控制回路电压不一致时, 请在该附件后用 ( ) 注明该附件电压。  
If the accessory voltage and voltage control loop is inconsistent, please use indicate the accessory voltage after accessory.

示例:  
HN5-2HU1/3 TA250+AX/SHT ( AC230V )  
含义: HN5系列断路器, 壳架等级为2, 分断能力为HU1, 3极, 额定电流为250A, 固定式板前接线, 附件为辅助开关和电压为 ( AC230V ) 的分励脱扣器。

Example  
HN5-2HU1/3 TA250+AX/SHT ( AC230V )  
Please specify the voltage of an accessory, if the voltage of the accessory is inconsistent with the controlling loop voltage. Meaning: HN5 series circuit breaker; the frame level is 3; 4 poles; rated current is 250A; fixed type wiring in front of the board; accessory contains auxiliary-switch and shunt-release with voltage(AC230V).

# 保护特性

## Protection characteristics

TA/TAL：保护特性数据表

TA/TAL: Data sheet of protection characteristics

额定电流 (A) Rated current	反时限动作特性 (周围空气温度+40℃) Inverse time acting characteristic (Ambient air temperature +40℃)		瞬时动作电流 (A) Instantaneous acting current
	1.05I <sub>r</sub> (冷态) 不动作时间 (Cold state) Not acting time	1.3I <sub>r</sub> (热态) 动作时间 (Hot state) Acting time	
I <sub>r</sub> ≤ 63	≥ 1h	< 1h	TA: 5-10I <sub>n</sub> ± 20% TAL: 10I <sub>n</sub> ± 20%
63 < I <sub>r</sub> ≤ 630	≥ 2h	< 2h	

环境温度变化的降容系数

Derated coefficient of rated current

断路器型号 Circuit Breaker Model	+40℃	+45℃	+50℃	+55℃	+60℃	+65℃	+70℃
HNM5-2HU	1.0 I <sub>r</sub>	0.98 I <sub>r</sub>	0.96 I <sub>r</sub>	0.94 I <sub>r</sub>	0.92 I <sub>r</sub>	0.91 I <sub>r</sub>	0.88 I <sub>r</sub>
HNM5-3HU	1.0 I <sub>r</sub>	0.97 I <sub>r</sub>	0.95 I <sub>r</sub>	0.93 I <sub>r</sub>	0.91 I <sub>r</sub>	0.89 I <sub>r</sub>	0.87 I <sub>r</sub>

HNM5 高电压系列塑壳断路器高海拔降容系数

Derated coefficient of high altitude of HNM5 series MCCB

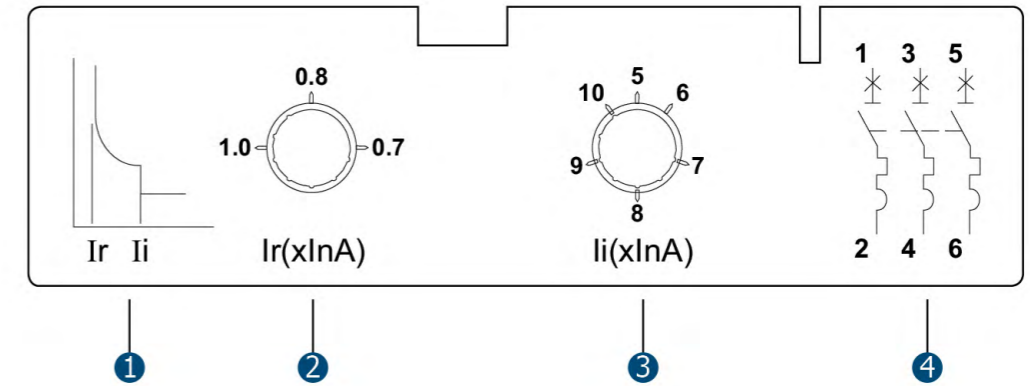
项目 Item	参数 Parameter						
海拔 Elevation	2000	2500	3000	3500	4000	4500	5000
工频耐压 (V) Power frequency withstand voltage	3500	3500	3200	3000	2800	2750	2500
绝缘电压 Isolation voltage	1250	1250	1250	1140	1140	1140	1140
分断能力修正系数 Breaking capacity correction factor	1	1	0.9	0.85	0.8	0.75	0.7
工作电流修正系数 Working current correction factor	1	1	0.98	0.97	0.96	0.95	0.94

# 标牌解释

## Sign interpretation

TA 热磁可调标牌

TA (thermomagnetic adjustable) label

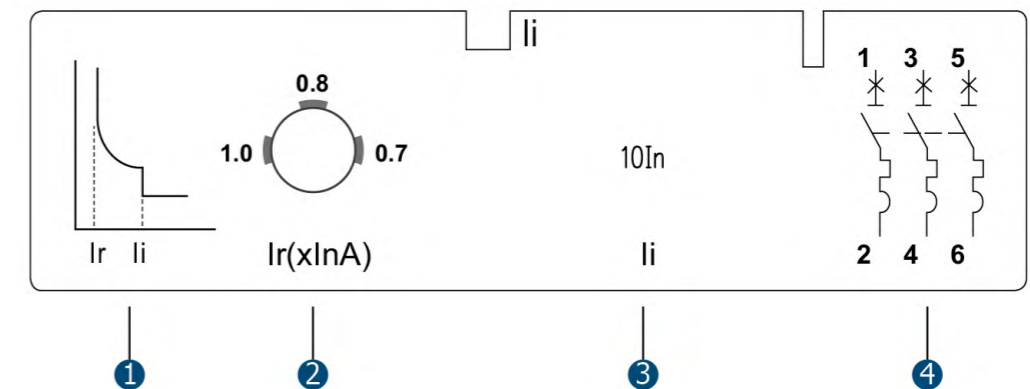


- ① 保护曲线  
Protection curve
- ② 延时整定电流  
Delay setting current

- ③ 短路整定电流  
Short-circuit setting current
- ④ 保护单元类型  
Type of protection unit

TAL 热可调, 磁固定标牌

TAL (thermal adjustable, magnetically fixed) label



- ① 保护曲线  
Protection curve
- ② 延时整定电流  
Delay setting current

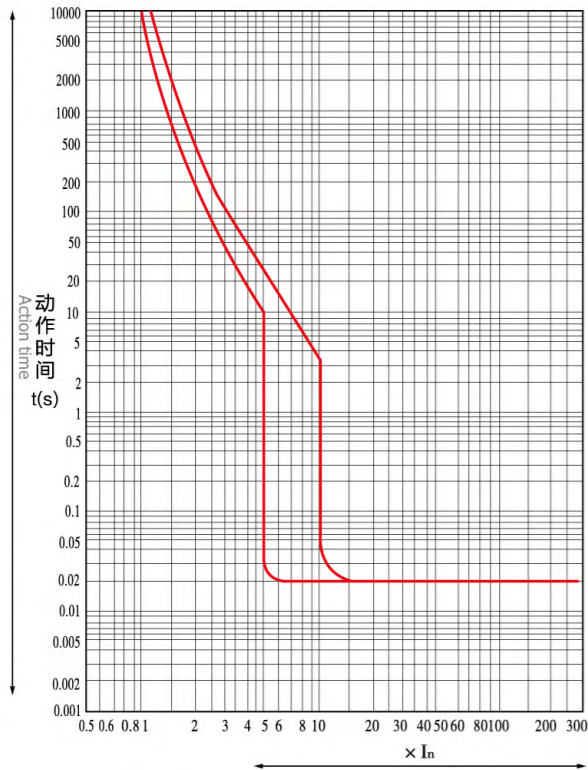
- ③ 短路整定电流  
Short-circuit setting current
- ④ 保护单元类型  
Type of protection unit

# 动作特性曲线

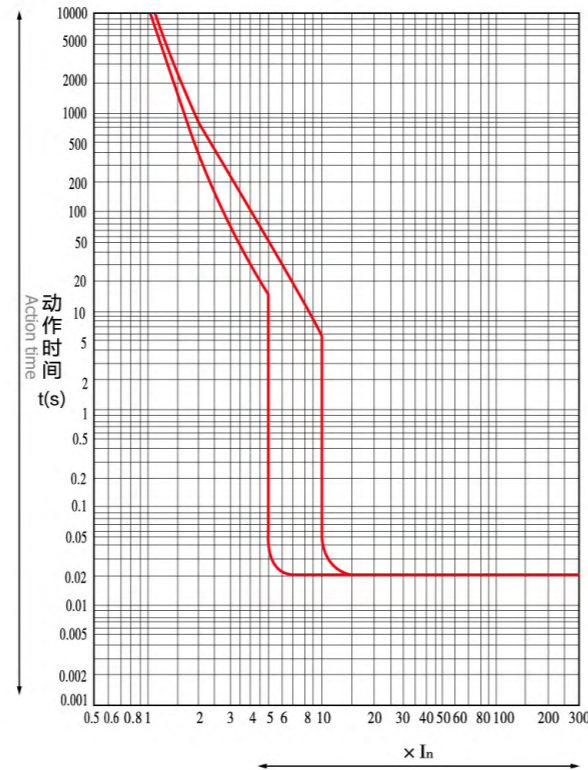
## Operating characteristic curve

特性曲线  
Operating Characteristic Curve

HNM5-2 时间/电流特性曲线  
HNM5-2 Time/Characteristic curve



HNM5-3 时间/电流特性曲线  
HNM5-3 Time/Characteristic curve



注：32A瞬动电流为定值500A；63A瞬动电流为定值630A  
Note: 32A MCCB instantaneous action current is 500A; 63A MCCB instantaneous action current is 630A

# 电气附件

## Electrical accessories

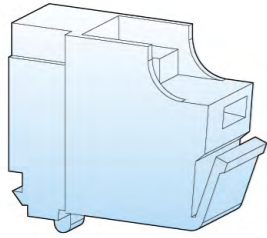
电气附件的组合模式  
Combined mode of electrical accessories



附件名称 Names of accessories	型号 Model	HNM5-2HU	HNM5-3HU
	极数 Poles	3	3
报警触头 Alarm contact			
分励脱扣器 Shunt tripping device			
辅助触头 Auxiliary contact			
分励脱扣器、辅助触头 Shunt tripping device and alarm contact			
分励脱扣器、报警触头 Shunt tripping device and alarm contact			
辅助触头、报警触头 Auxiliary contact and alarm contact			
分励脱扣器、辅助触头、报警触头 Shunt tripping device, auxiliary contact and alarm contact			
不带附件 Without accessory			

### 报警开关 (AL)

Alarm switch



HNM5-2HU 报警触头  
Alarm contacts

#### 功能

当断路器因过载、短路、欠压，受到外部分励信号或被按下脱扣按钮而跳闸时可以输出报警信号。

它在自动化系统中特别有用，可以把故障信号发送到指定的地方，当断路器脱扣时依靠内部的微动开关使故障信号接通。当分、合闸时，它不会有任何动作。

#### Function

The product outputs alarm signal when it is tripped by outer excitation signal due to overload, short circuit, undervoltage, or when the release button is pressed. This function is particularly useful in an automatic system, since that a fault signal can be sent to the designated place. And the fault signal will turn on due to an internal microswitch, when circuit breaker releases. But for normal opening or closing operations, it does not have any action.

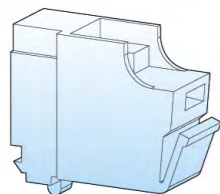
#### 报警开关 (AL) 动作特性

Alarm switch operating characteristics

断路器状态 Circuit breaker status	报警开关状态 Alarm switch status
断路器处于“分”“合”时的位置 The statuses of open and close	
断路器处于脱扣时的位置 The statuses of tripping	

### 辅助开关 (AX)

Auxiliary switch



HNM5-2HU 辅助触头  
Auxiliary contacts

#### 功能

辅助开关用于远程“ON”和“OFF”指示及电气连锁，每一个开关包含两个触点，并有一个共用连接端，其分合状态取决于接触点的分合状态。断路器断开时，一个常开，一个常闭，反之亦然。

#### Function

Auxiliary switch is used for indication of remote "ON" and "OFF". Each switch contains two contacts, which share a common end of connection. The ON/OFF position depends on the state of main contact. When the circuit breaker is open, one of them is normally open, and the other is closed, or vice versa.

#### 辅助开关 (AX) 动作特性

Auxiliary switch operating characteristics

断路器状态 Circuit breaker status	辅助开关状态 Auxiliary switch status
断路器处于“分”时的位置 The statuses of open and close	
断路器处于“合”时的位置 The statuses of tripping	

#### 报警开关、辅助开关额定工作电流

Alarm switch, Auxiliary switch rated operational current

分类 Classification	约定发热电流 I <sub>th</sub> (A) Conventional thermal current	额定工作电流 I <sub>e</sub> (A) Rated working current	
		AC400V/AC-15	DC220V/DC-13
辅助触头 Auxiliary contacts	3	0.3	0.15
报警触头 Alarm contacts	3	0.3	0.15

#### 报警开关、辅助开关在正常条件下的接通与分断能力

Connecting and breaking capacities of alarm switch and auxiliary switch under normal conditions

使用类别 Utilization category	接通 (ON)			分断 (OFF)			通电操作循环次数 Number of operation cycles	每分钟操作循环次数 Number of operation cycles per minute	通电时间 Power time
	I/I <sub>e</sub>	U/U <sub>e</sub>	cos φ 或 T <sub>0.95</sub>	I/I <sub>e</sub>	U/U <sub>e</sub>	cos φ 或 T <sub>0.95</sub>			
AC-15	10	1	0.3	1	1	0.3	6050	6	≥ 0.05s
DC-13	1	1	6P <sub>e</sub>	1	1	6P <sub>e</sub>			≥ T <sub>0.95</sub>

#### 报警开关、辅助开关在非正常条件下的接通与分断能力

Connecting and breaking capacities of alarm switch and auxiliary switch under abnormal conditions

使用类别 Utilization category	接通 (ON)			分断 (OFF)			通电操作循环次数 Number of operation cycles	每分钟操作循环次数 Number of operation cycles per minute	通电时间 Power time
	I/I <sub>e</sub>	U/U <sub>e</sub>	cos φ 或 T <sub>0.95</sub>	I/I <sub>e</sub>	U/U <sub>e</sub>	cos φ 或 T <sub>0.95</sub>			
AC-15	10	1.1	0.3	10	1.1	0.3	10	2	≥ 0.05s
DC-13	1.1	1.1	6P <sub>e</sub>	1.1	1.1	6P <sub>e</sub>			≥ T <sub>0.95</sub>

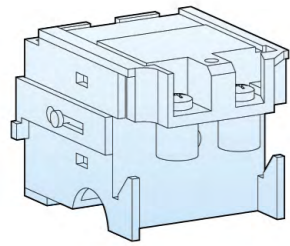
#### 注 Note

- $T_{0.95}=6P_e$ 是经验公式，其中 $P_e$ 以“瓦”单位， $T_{0.95}$ 以毫秒为单位；  
 $T_{0.95}=6P_e$  is an empirical formula in which the unit of "Pe" is watt and the unit of  $T_{0.95}$  is millisecond.
- 当断路器的操作性能总次数小于6050次时，则辅助开关的通电操作性能次数可与断路器操作性能总次数相同；  
The number of operation of auxiliary switch can equal to that of the circuit breaker, if the number of operation of circuit breaker is less than 6050.
- 操作频率和通电时间允许与断路器主电路的一致；  
The operation frequency and power-on time of an auxiliary contact are allowed to be the same as those of the main circuit.
- 如果 $T_{0.95}$ 大于0.05s，则通电时间至少为 $T_{0.95}$ 。  
If  $T_{0.95}$  is more than 0.05s, the power-on time is at least  $T_{0.95}$ .



### 分励脱扣器(SHT)

Shunt release



HNM5-2HU 分励脱扣器  
Shunt release

#### 功能

Function

分励脱扣器是指从远处用电流断开断路器的装置；  
分励脱扣器在断路器脱扣以后会自动切断信号电路。

Shunt release refers to the device which disconnect circuit breaker with current from a distance.  
A shunt release can cut off the signal circuit automatically after tripping.

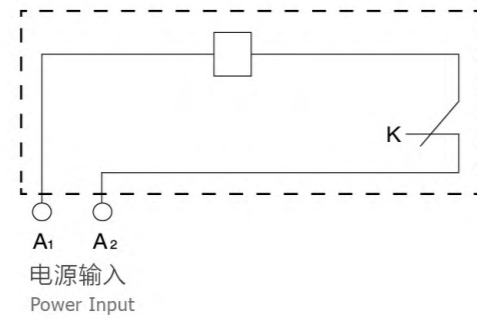
#### 动作特性

Operating Characteristics

电压规格 Voltage specification	AC50Hz: 110V 230V 400V DC: 24V 110V 220V
动作特性 Operating characteristics	在额定控制电压的70%-110%之间时，分励脱扣器能使断路器脱扣 When the operation voltage is 70%~110% of the rated control voltage, the shunt release should trip the circuit breaker reliably.

#### 接线图 (虚框内为断路器内部附件)

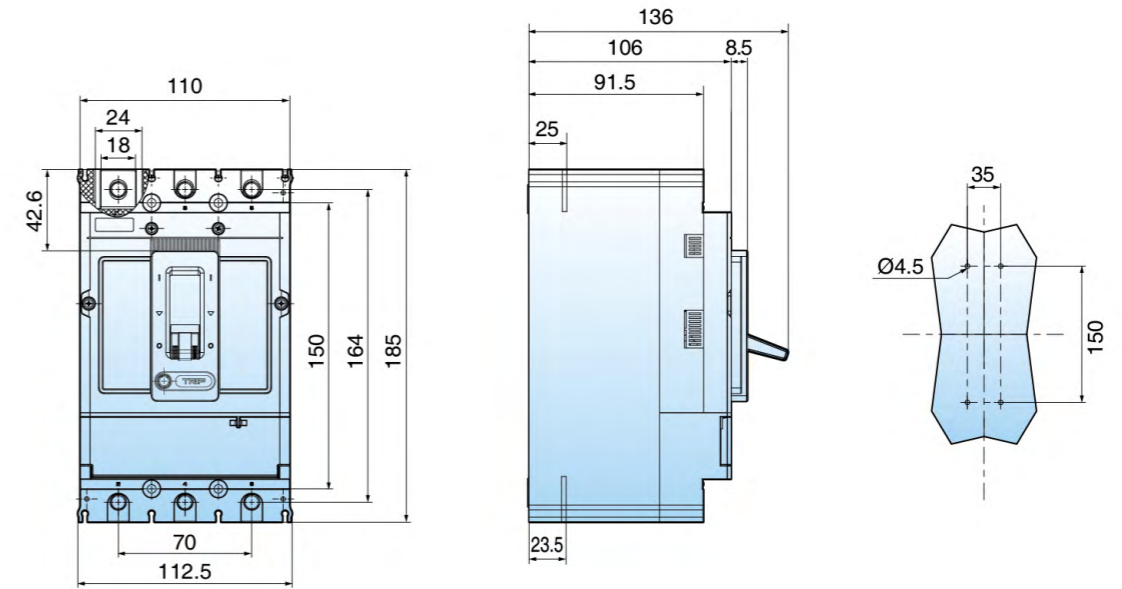
Connection diagram (internal accessories of a circuit breaker)



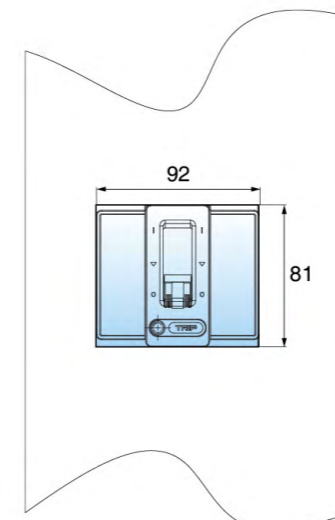
K为分励脱扣器内部与线圈串联的微动开关，为常闭触头。当断路器分闸后该触头自行断开，合闸时闭合。

K is a microswitch closed contact of micro switch installed in series with the coil in shunt tripper, when the breaker is tripping, the switch is off by itself, when the breaker is closing, and then the switch is on.

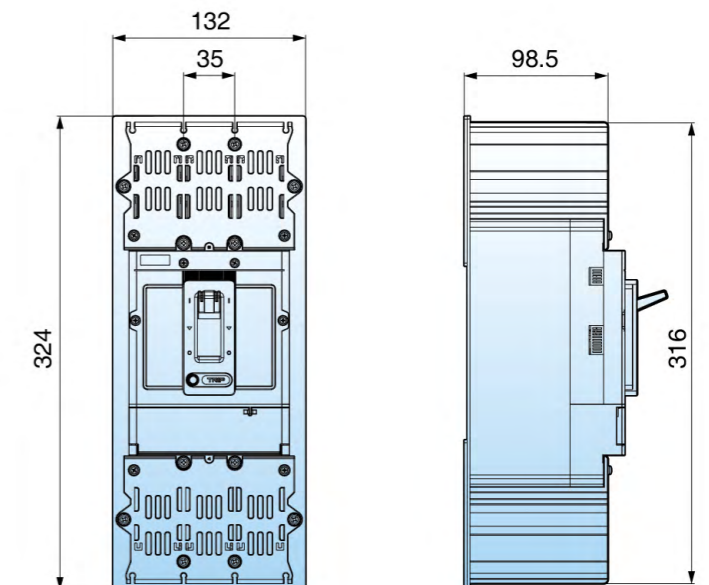
### HNM5-2HU本体尺寸 Dimensions and installation



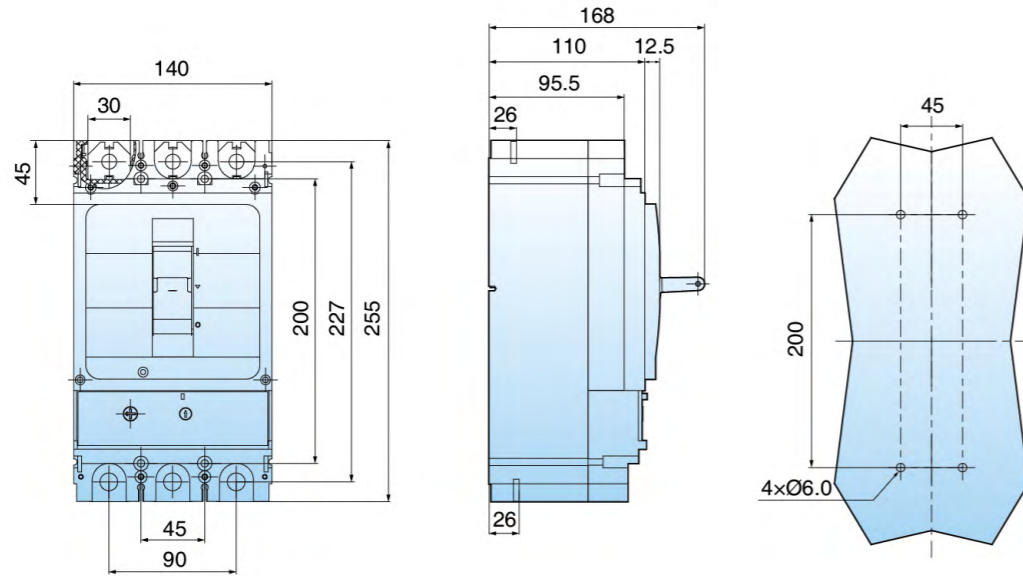
### 门框开孔尺寸 For toggling handle



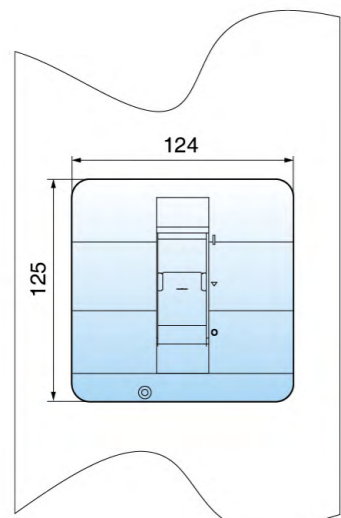
### HNM5-2HU带端子盖 Long terminal shields



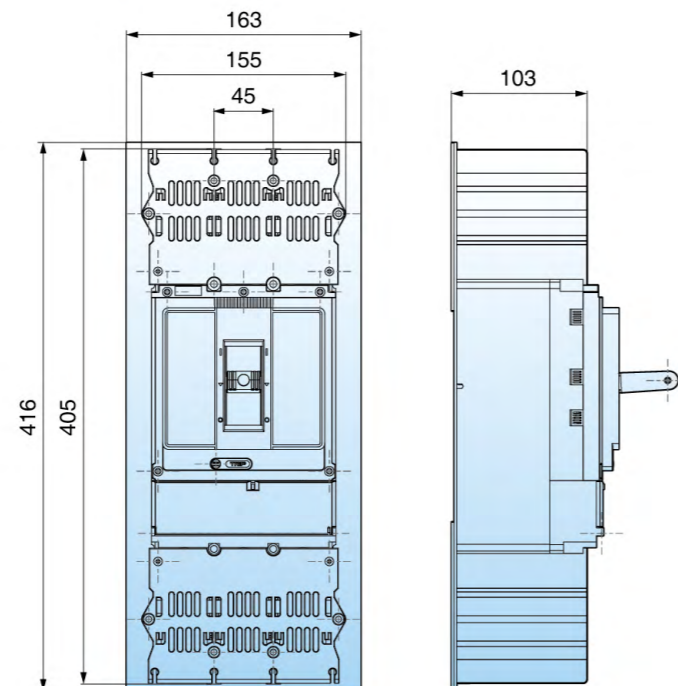
HNM5-3HU本体 Dimensions and installation



门框开孔尺寸 For toggling handle



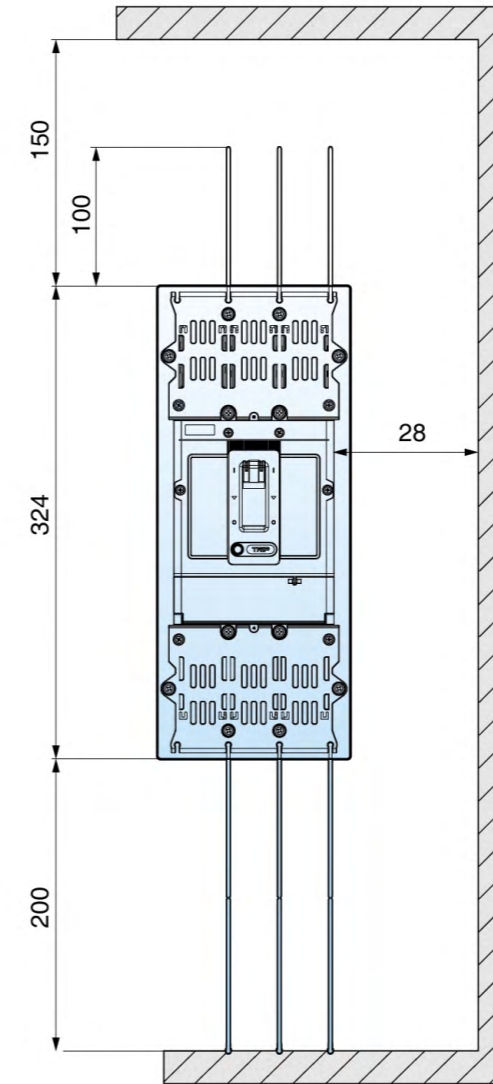
HNM5-3HU带端子盖 Long terminal shields



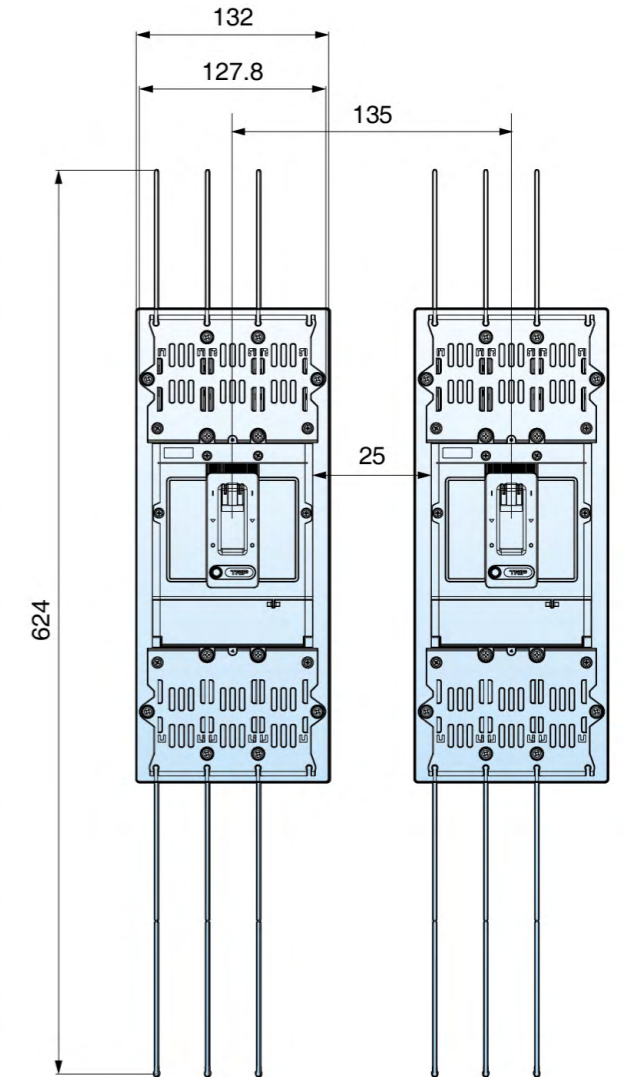
断路器安装安全间距 Safe gap of a circuit breaker

HNM5-2HU

对金属框架的最小间距  
Safe gap of a circuit breaker



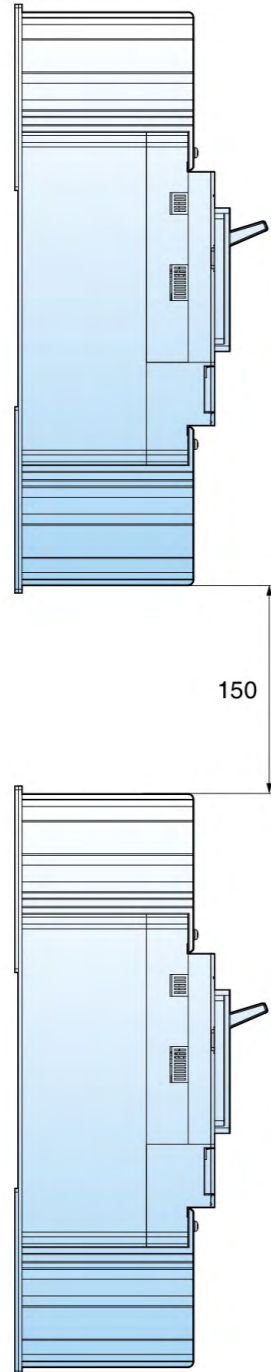
两个并排安装的断路器之间的最小间距  
Minimum distance between two adjacent circuit breakers



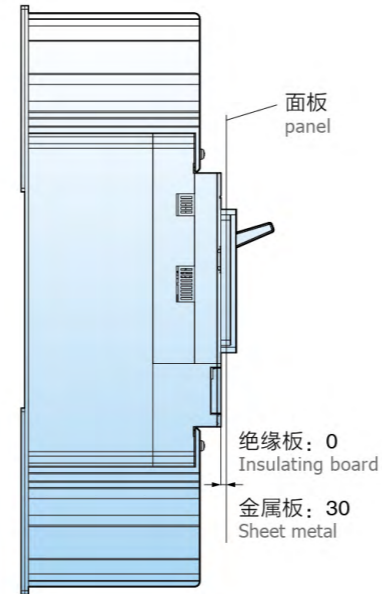
注：相间隔板标配为6个，上短下长，并排安装的断路器数量≥2台时，边相的相间隔板请保持安装位置一致（都装在A相侧或者都装在C相侧），靠近金属柜体断路器的边相，需要多加1长1短。

Note: There are 6 terminal covers as standard, the top is short and the bottom is long, When the number of circuit breakers installed side by side is  $\geq 2$ , please keep the installation position of the interphase clapboard of the side phase consistent (all installed on phase A side or phase C side), 1 long and 1 short (interphase separator) should be added for the side phase of the circuit breaker close to the metal cabinet.

上下两个断路器之间的最小间距  
Short terminal shield rear connected



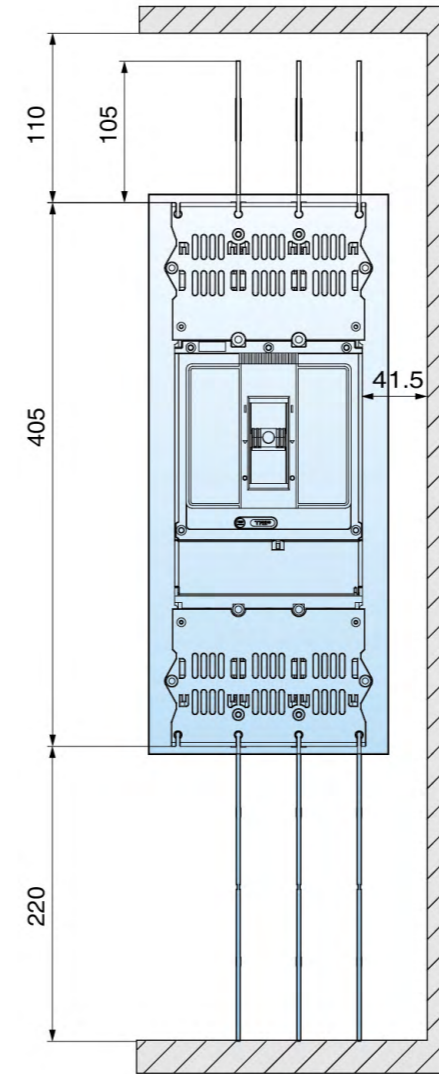
断路器与前面板之间最小间距  
Minimum distance between circuit breaker and front or rear panels



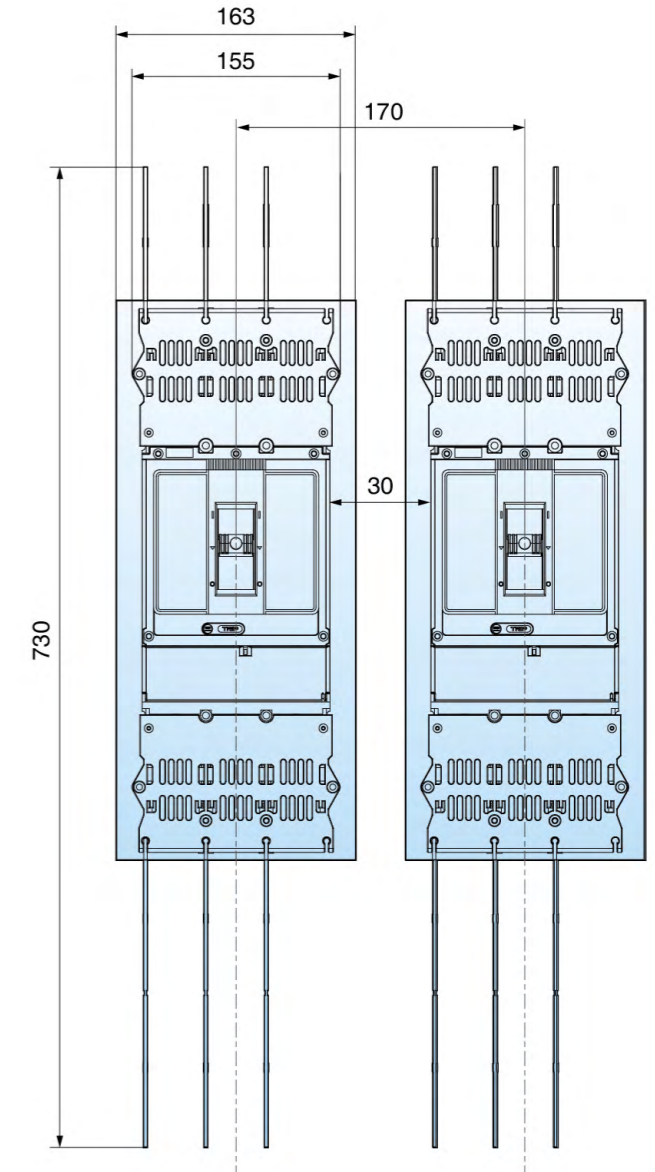
断路器安装安全间距 Safe gap of a circuit breaker

HNM5-3HU

对金属框架的最小间距  
Safe gap of a circuit breaker



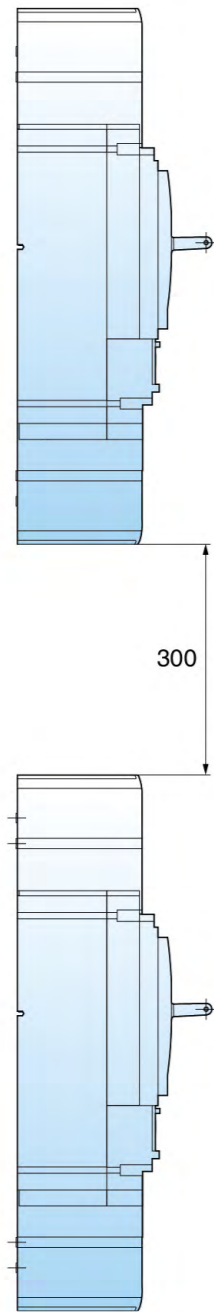
两个并排安装的断路器之间的最小间距  
Minimum distance between two adjacent circuit breakers



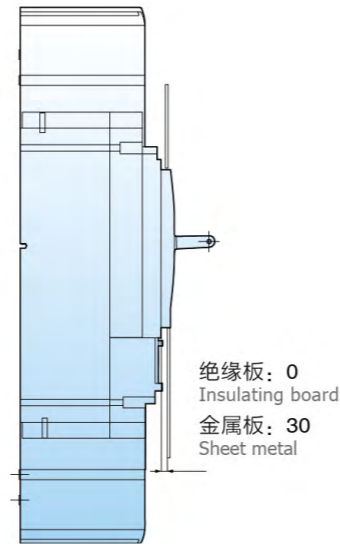
注: 相间隔板标配为6个, 上短下长, 并排安装的断路器数量 $\geq 2$ 台时, 边相的相间隔板请保持安装位置一致(都装在A相侧或者都装在C相侧), 靠近金属柜体断路器的边相, 需要多加1长1短。

Note: There are 6 terminal covers as standard, the top is short and the bottom is long, When the number of circuit breakers installed side by side  $\geq 2$ , please keep the installation position of the interphase clapboard of the side phase consistent (all installed on phase A side or phase C side), 1 long and 1 short (interphase separator) should be added for the side phase of the circuit breaker close to the metal cabinet.

上下两个断路器之间的最小间距  
Short terminal shield rear connected



断路器与前面板之间最小间距  
Minimum distance between circuit breaker and front or rear panels



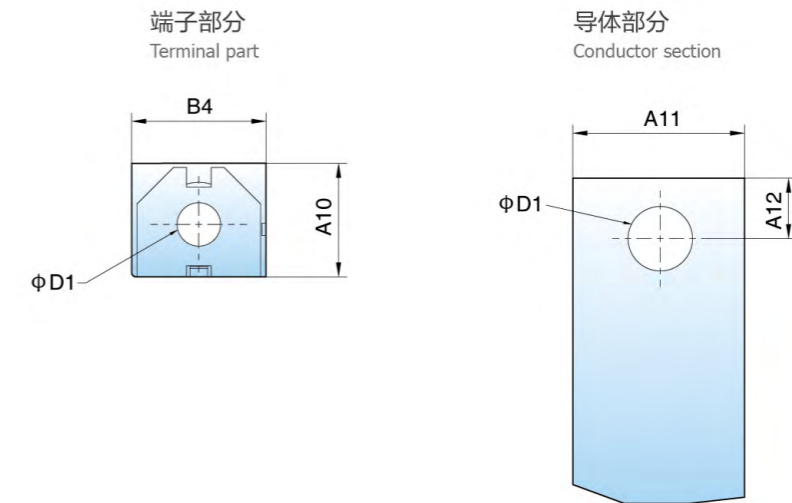
## 连接导线的参考截面 Cross-sectional area of wire

不同额定电流的连接导线的参考截面  
Cross-sectional areas of connecting wires with different rated currents

额定电流 (A) Rated current	10	16 20	25	32	40 50	63	80	100	125 140	160	180 200 225	250	315 350	400
导线截面积 (mm <sup>2</sup> ) Cross-sectional area of wire	1.5	2.5	4	6	10	16	25	35	50	70	95	120	185	240

额定电流 (A) Rated current	电缆 Cable		铜排 Copper bar	
	截面积 Sectional area (mm <sup>2</sup> )	数量 Quantity	尺寸 Size	数量 Quantity
500	150	2	30 × 5	2
630	185	2	40 × 5	2

## 固定式连接 Fixed connection



型号 Model	B4	A10	A11	A12	ΦD1
HN5-2	24	20.5	20	12	9
HN5-3	32	30	30	15	12.5

**伊顿辉能低压电器(江苏)有限公司**  
Eaton Huineng Low-Voltage Electrical (Jiangsu) Co., Ltd.

地址: 江苏省镇江新区大港五峰山路97号  
邮编: 212132  
电话: 0511-83370758 83370618  
传真: 0511-83370398

Add: 97 Wufengshan Road,  
Zhenjiang Development Zone, Jiangsu  
P.C: 212132  
Tel: 0511-83370758 83370618  
Fax: 0511-83370398



由于标准和材料的变更, 本手册所述特性和本资料中的图像只有经过我们的业务部门确认以后, 才对我们有约束。  
Due to changes of standards and materials, the properties described in this brochure and the illustrations included in this document are not binding on Eaton Huineng unless confirmed by our business department.

